



# Heavy Duty Foldable Engine Cranes

## Foldable Engine Crane

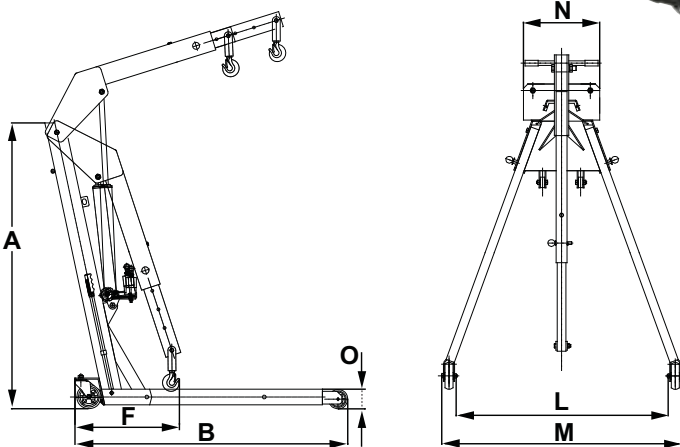
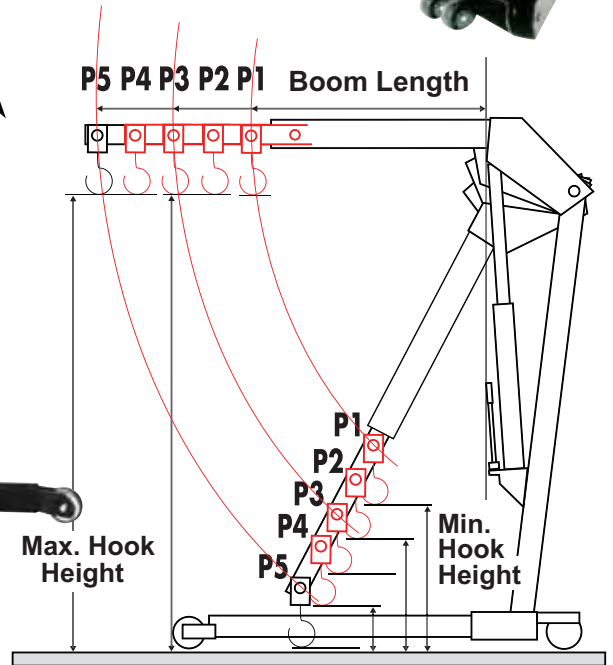
- The special hydraulic long rams are equipped with:
  - Only the 4417 has a MagicLift pumping mechanism for speedy lift.
  - A built-in by-pass mechanism.
- Heavy duty welded construction with rugged reinforced tubular steel.

- Four durable PU wheels for easy moving.
- User-friendly 270 degrees wide range swiveling angle for operating handle.
- HTR (Hold-To-Run) mechanism, designed to assure users' maximum safety when the valve is released.



## FOLDABLE CRANES:

Unique folding design helps storage after using in a space-limited work shop.



Model	Lock Position of Extension Boom	Capacity (KG)	Minimum Hook Height (mm)	Maximum Hook Height (mm)	Boom Length (mm)
44017 & 44018	P1	1000	439	1978	620
	P2	900	341	2021	720
	P3	800	243	2075	820
	P4	700	145	2131	920
	P5	600	0	2170	1020
44012	P1	1000	280	2070	710
	P2	850	200	2140	795
	P3	700	125	2205	870
	P4	550	50	2280	950
44020	P1	2000	465	1760	1238
	P2	1500	355	1910	1465
	P3	1000	235	2065	1692
	P4	500	127	2200	1919

Model	A (mm)	B (mm)	F (mm)	L (mm)	M (mm)	N (mm)	O (mm)	N.W. (KG)	Pieces Carton	G.W. (KG)
44017	1460	1525	570	1060	1200	350	100	84.0	1	94.0
44018	1460	1525	570	1060	1200	350	100	83.4	1	90.6
44012	1330	1540	450	845	1000	380	125	73.0	1	80.0
44020	1394	2305	1725	735	860	1350	89	105.0	1Pc=2Carton	110.5



# Heavy Duty Engine Cranes

## Engine Cranes

- Polished ram plunger and cylinder protecting seals from abrasion.
- Built-in safety valve ensuring operating safety against overloading.
- Patented hydraulic bypass system preventing ram plunger from over-traveling.
- Foldable models, offering retractable front legs and lifting boom for easy storage.
- Heavy duty welded construction with rugged reinforced tubular steel.
- All optional hydraulic long jacks are available for replacement. Please see page 31 for details.



### Equalizer Optional



**90150**  
680 KG  
Capacity

**44012**  
1000 Kg Capacity



**44020**  
2000 Kg Capacity

